



## **Jaw Crushers**



# **Cedarapids**

**Mobile  
or  
Stationary**



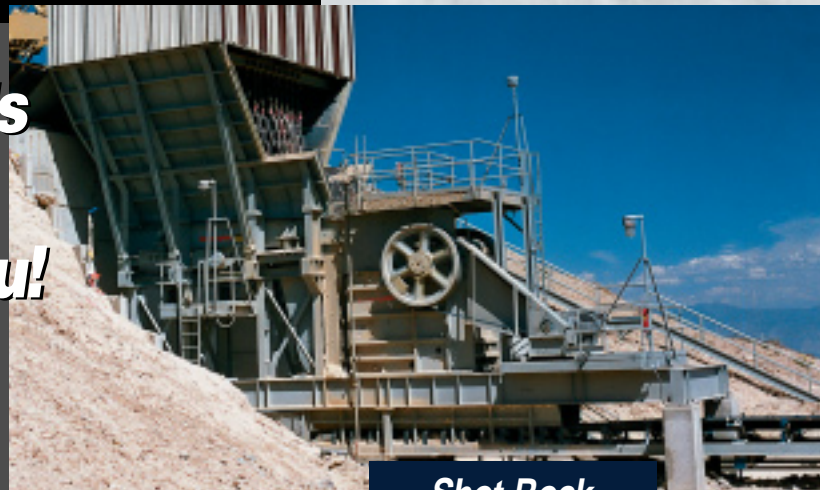
**Sand & Gravel**

**No Matter  
What  
the Material**



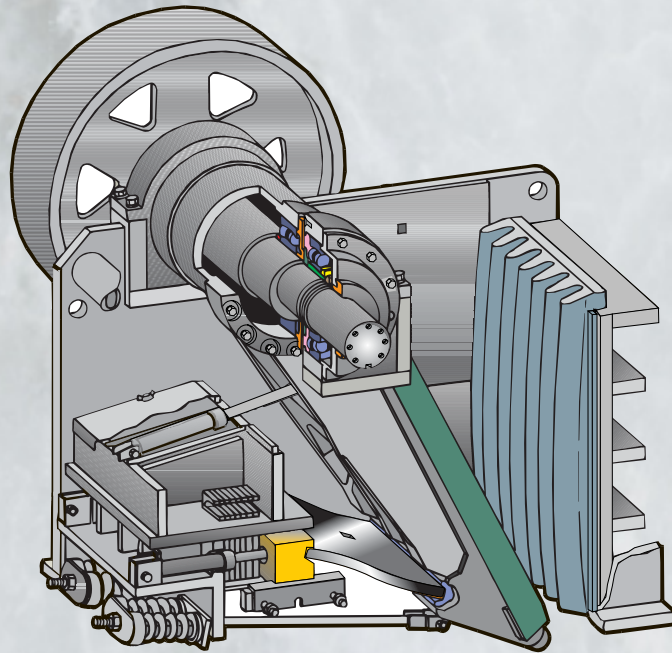
**Recycle**

**Cedarapids  
has the  
Jaw for You!**



**Shot Rock**





## ***Designed for Productivity – Built with Durability!***



### **Productivity**

- *Increased stroke for greater capacity*
- *Large eccentric shaft for greater stroke in the upper chamber*
- *High-angle toggle plate increases stroke in the lower chamber*
- *Large flywheel provides continuous crushing in toughest applications*
- *Deep-pitch gripper jaws for maximum reduction*



### **Durability**

- *Stress-relieved base frame for higher integrity*
- *Cast pitman for greatest strength with minimum weight*
- *High rib concentration for toggle support*
- *Captive side bearing housing for greatest support*
- *Drop-forged shaft to withstand the pressure of high reduction*

Cedarapids Inc  
909 17th Street NE  
Cedar Rapids IA 52402 USA

Telephone 319 363 3511  
1 800 821 5600  
Fax 319 399 4871  
www.cedarapids.com



*Cedarapids...  
Providing Equipment  
that is  
Simple  
Available  
&  
Cost Effective*

 **Cedarapids**  
A Terex Company

Design features may be covered by patents issued and/or patents applied for.  
Design and specifications subject to change without notice.  
Bulletin JC-6 (4/00)